

ROBOTER Bausatz-Shop

Digitaler Temperatur- und Feuchtigkeitssensor DHT22

Anleitung

Aosong(Guangzhou) Electronics Co.,Ltd

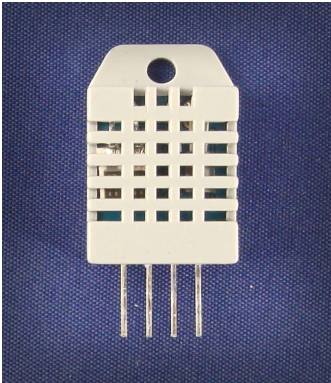
Tell: +86-020-36380552, +86-020-36042809 Fax: +86-020-36380562

<http://www.aosong.com>

Email: thomasliu198518@yahoo.com.cn sales@aosong.com

Address: No.56, Renhe Road, Renhe Town, Baiyun District, Guangzhou, China

Digital-output relative humidity & temperature sensor/module AM2303



Capacitive-type humidity and temperature module/sensor

1. Feature & Application:

- * Full range temperature compensated
- * Relative humidity and temperature measurement
- * Calibrated digital signal
- * Outstanding long-term stability
- * Extra components not needed
- * Long transmission distance
- * Low power consumption
- * 4 pins packaged and fully interchangeable

2. Description:

AM2303 output calibrated digital signal. It utilizes exclusive digital-signal-collecting-technique and humidity sensing technology, assuring its reliability and stability. Its sensing elements is connected with 8-bit single-chip computer.

Every sensor of this model is temperature compensated and calibrated in accurate calibration chamber and the calibration-coefficient is saved in type of programme in OTP memory, when the sensor is detecting, it will cite coefficient from memory.

Small size & low consumption & long transmission distance(20m) enable AM2303 to be suited in all kinds of harsh application occasions.

Single-row packaged with four pins, making the connection very convenient.

3. Technical Specification:

Model	AM2303
Power supply	3.3-6V DC
Output signal	digital signal via single-bus
Sensing element	Polymer humidity capacitor & DS18B20 for detecting temperature
Measuring range	humidity 0-100%RH; temperature -40~125Celsius

Aosong(Guangzhou) Electronics Co.,Ltd

Tell: +86-020-36380552, +86-020-36042809 Fax: +86-020-36380562

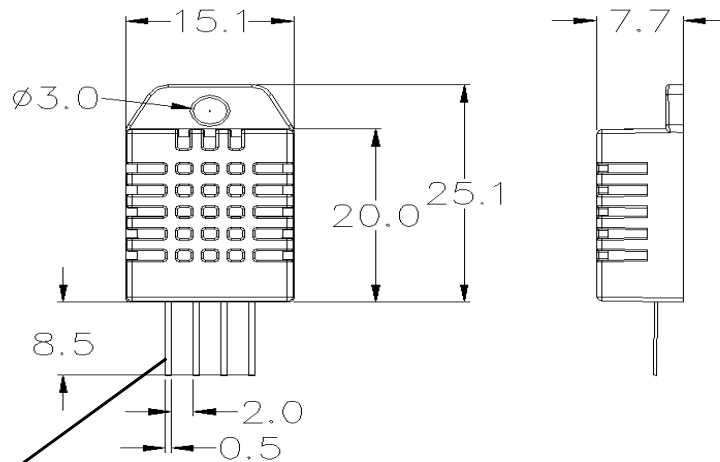
http://www.aosong.com

Email: thomasliu198518@yahoo.com.cn sales@aosong.com

Address: No.56, Renhe Road, Renhe Town, Baiyun District, Guangzhou, China

Accuracy	humidity +2%RH(Max +5%RH);	temperature +0.2Celsius
Resolution or sensitivity	humidity 0.1%RH;	temperature 0.1Celsius
Repeatability	humidity +1%RH;	temperature +0.2Celsius
Humidity hysteresis	+0.3%RH	
Long-term Stability	+0.5%RH/year	
Sensing period	Average: 2s	
Interchangeability	fully interchangeable	

4. Dimensions: (unit---mm)



Pin sequence number: 1 2 3 4 (from left to right direction).

Pin	Function
1	VDD---power supply
2	DATA--signal
3	NULL
4	GND

5. Operating specifications:

(1) Power and Pins

Power's voltage should be 3.3-6V DC. When power is supplied to sensor, don't send any instruction to the sensor within one second to pass unstable status. One capacitor valued 100nF can be added between VDD and GND for wave filtering.

(2) Communication and signal

Single-bus data is used for communication between MCU and AM2303, it costs 5mS for single time communication.

Aosong(Guangzhou) Electronics Co.,Ltd

Tell: +86-020-36380552, +86-020-36042809 Fax: +86-020-36380562

http://www.aosong.com

Email: thomasliu198518@yahoo.com.cn sales@aosong.com

Address: No.56, Renhe Road, Renhe Town, Baiyun District, Guangzhou, China

Data is comprised of integral and decimal part, the following is the formula for data.

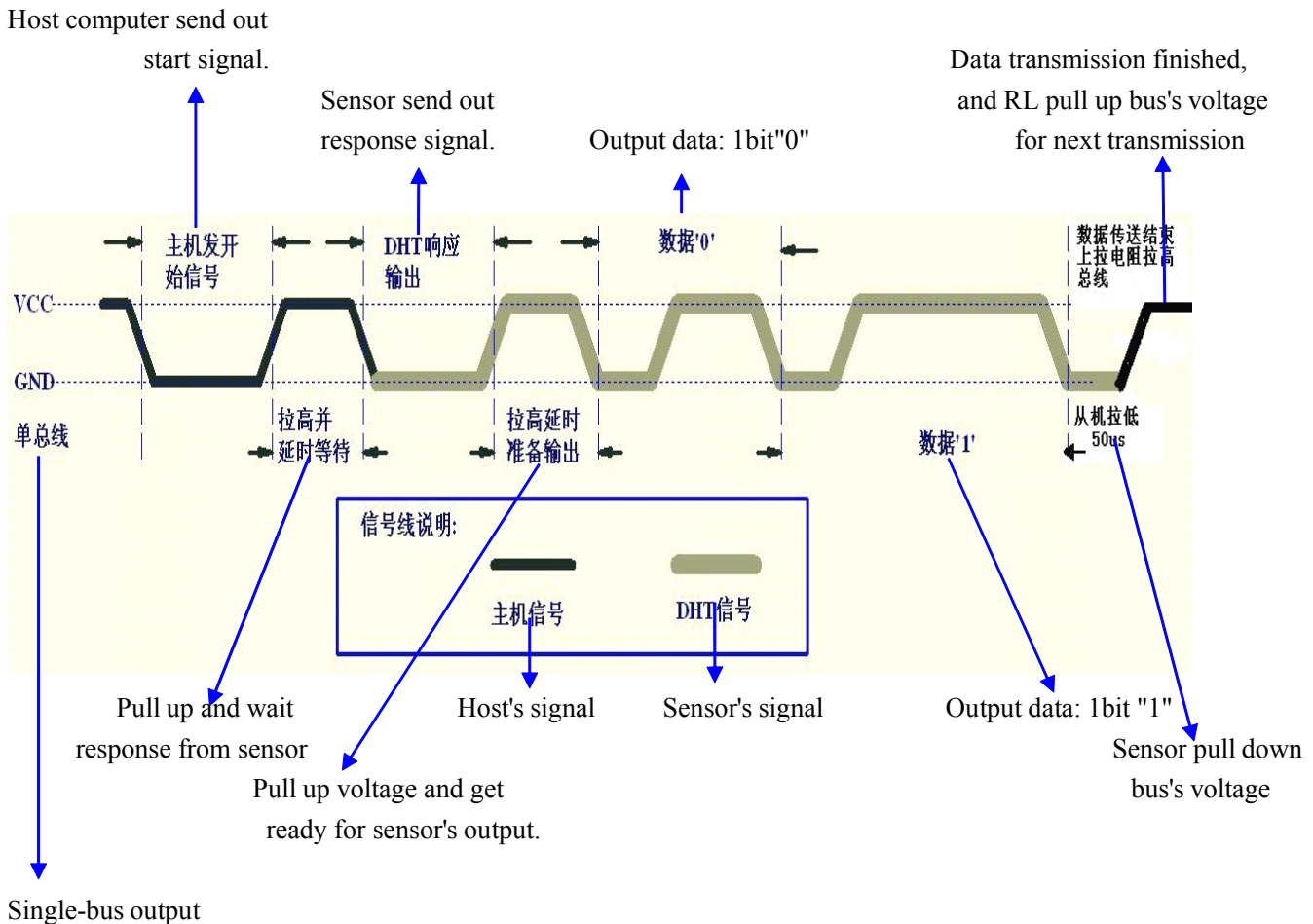
AM2303 send out higher data bit firstly!

DATA=8 bit integral RH data+8 bit decimal RH data+8 bit integral T data+8 bit decimal T data+8 bit check-sum

If the data transmission is right, check-sum should be the last 8 bit of "8 bit integral RH data+8 bit decimal RH data+8 bit integral T data+8 bit decimal T data".

When MCU send start signal, AM2303 change from low-power-consumption-mode to running-mode. When MCU finishes sending the start signal, AM2303 will send response signal of 40-bit data that reflect the relative humidity and temperature information to MCU. Without start signal from MCU, AM2303 will not give response signal to MCU. One start signal for one time's response data that reflect the relative humidity and temperature information from AM2303. AM2303 will change to low-power-consumption-mode when data collecting finish if it don't receive start signal from MCU again.

1) Check bellow picture for overall communication process:



Aosong(Guangzhou) Electronics Co.,Ltd

Tell: +86-020-36380552, +86-020-36042809 Fax: +86-020-36380562

http://www.aosong.com

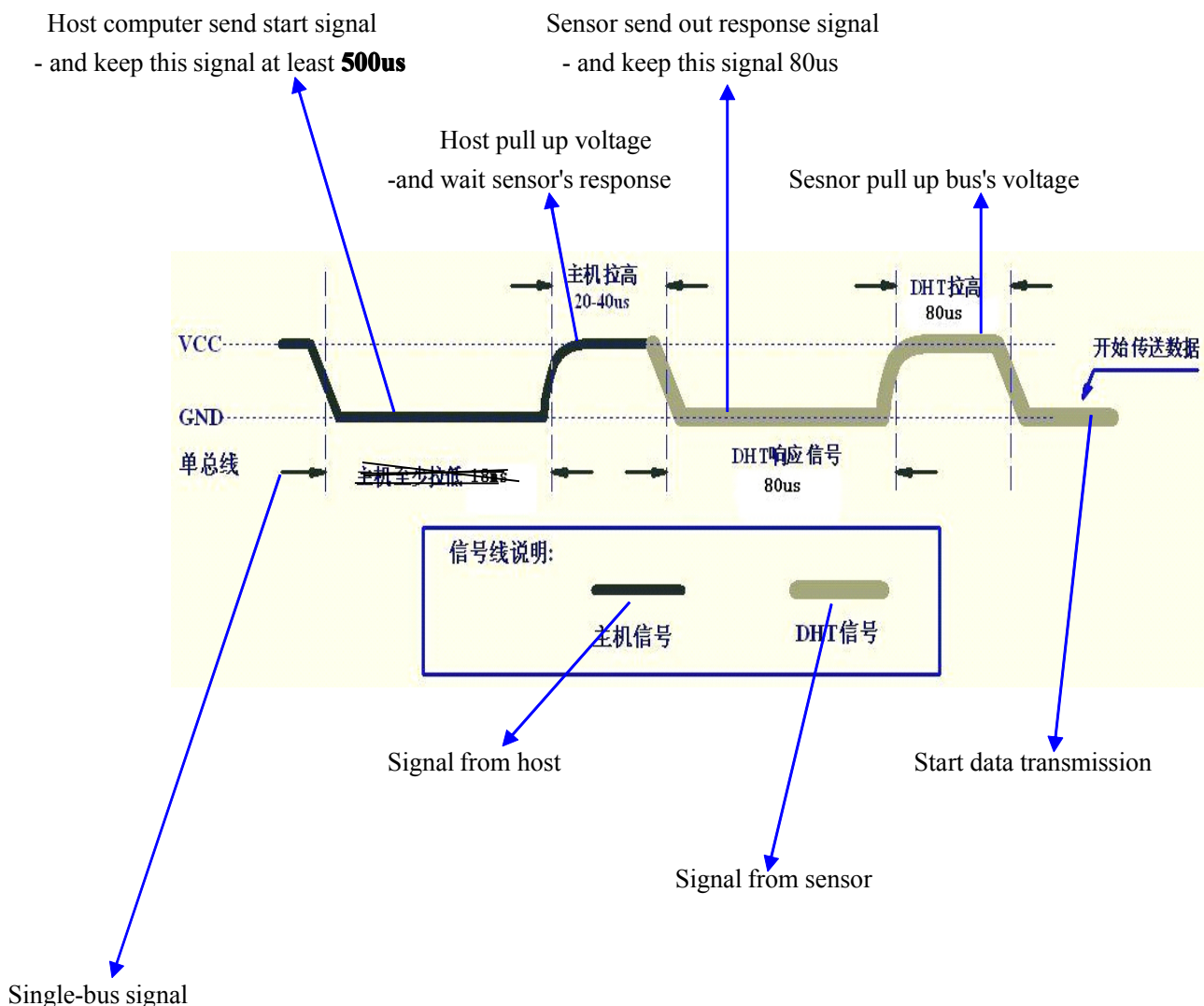
Email: thomasliu198518@yahoo.com.cn sales@aosong.com

Address: No.56, Renhe Road, Renhe Town, Baiyun District, Guangzhou, China

2) Step 1: MCU send out start signal to AM2303

Data-bus's free status is high voltage level. When communication between MCU and AM2303 begin, program of MCU will transform data-bus's voltage level from high to low level and this process must beyond at least 18ms to ensure AM2303 could detect MCU's signal, then MCU will wait 20-40us for AM2303's response.

Check bellow picture for step 1:



Step 2: AM2303 send response signal to MCU

When AM2303 detect the start signal, AM2303 will send out low-voltage-level signal and this signal last 80us as response signal, then program of AM2303 transform data-bus's voltage level from low to high level and last 80us for AM2303's preparation to send data.

Check bellow picture for step 2:

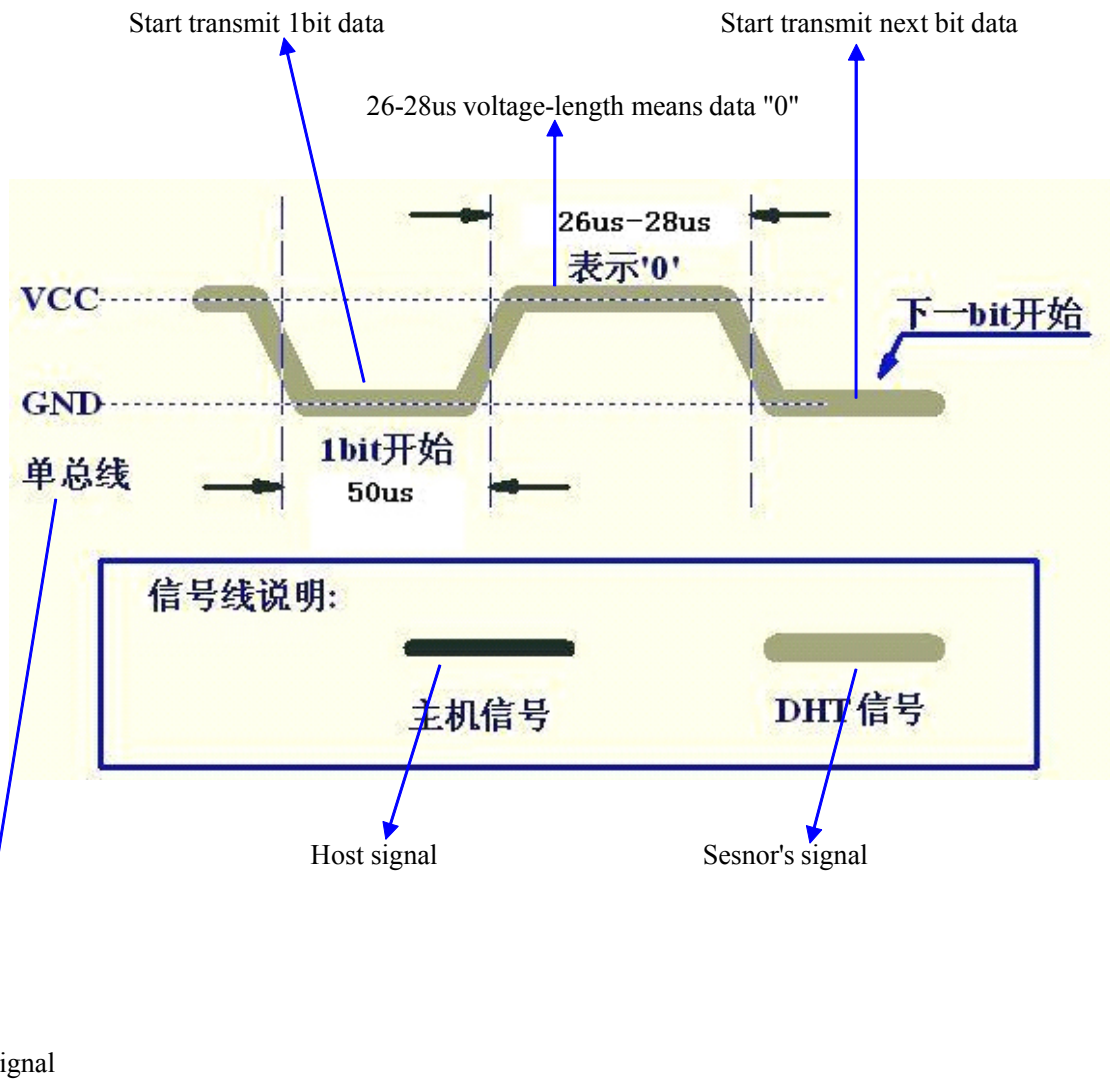
Aosong(Guangzhou) Electronics Co.,Ltd

Tell: +86-020-36380552, +86-020-36042809 Fax: +86-020-36380562

<http://www.aosong.com>

Email: thomasliu198518@yahoo.com.cn sales@aosong.com

Address: No.56, Renhe Road, Renhe Town, Baiyun District, Guangzhou, China



Step 3: AM2303 send data to MCU

When AM2303 is sending data to MCU, every bit's transmission begin with low-voltage-level that last 50us, the following high-voltage-level signal's length decide the bit is "1" or "0".

Check bellow picture for step 3:

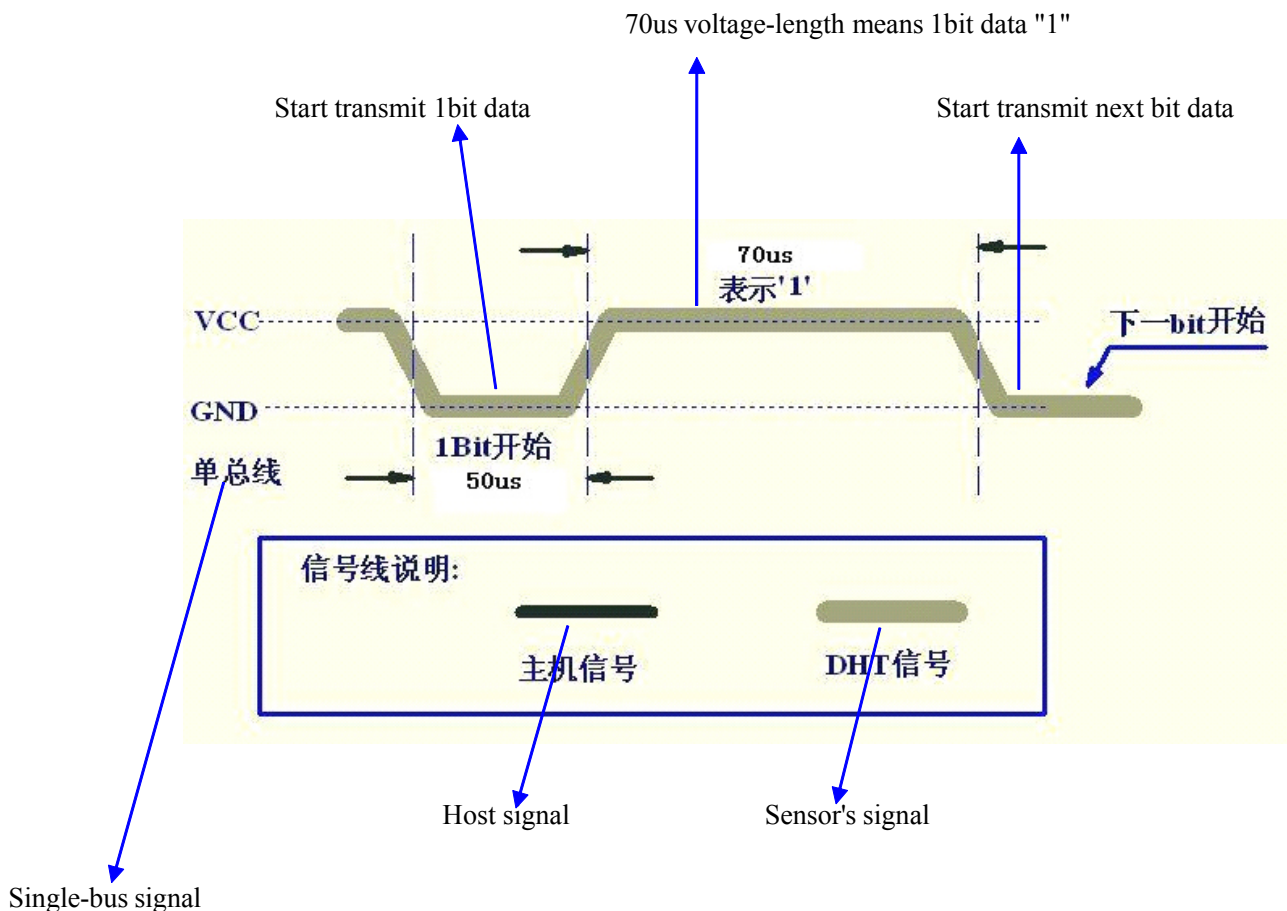
Aosong(Guangzhou) Electronics Co.,Ltd

Tell: +86-020-36380552, +86-020-36042809 Fax: +86-020-36380562

http://www.aosong.com

Email: thomasliu198518@yahoo.com.cn sales@aosong.com

Address: No.56, Renhe Road, Renhe Town, Baiyun District, Guangzhou, China



If signal from AM2303 is always high-voltage-level, it means AM2303 is not working properly, please check the electrical connection status.

6. Electrical Characteristics:

Item	Condition	Min	Typical	Max	Unit
Power supply	DC	3.3	5	5.5	V
Current supply	Measuring	1.3	1.5	2.1	mA
	Average	0.5	0.8	1.1	mA
Collecting period	Second	1.7		2	Second

*Collecting period should be : >1.7 second.

7. Attentions of application:

(1) Operating and storage conditions

We don't recommend the applying RH-range beyond the range stated in this specification. The DHT11 sensor

Aosong(Guangzhou) Electronics Co.,Ltd

Tell: +86-020-36380552, +86-020-36042809 Fax: +86-020-36380562

<http://www.aosong.com>

Email: thomasliu198518@yahoo.com.cn sales@aosong.com

Address: No.56, Renhe Road, Renhe Town, Baiyun District, Guangzhou, China

can recover after working in non-normal operating condition to calibrated status, but will accelerate sensors' aging.

(2) Attentions to chemical materials

Vapor from chemical materials may interfere AM2303's sensitive-elements and debase AM2303's sensitivity.

(3) Disposal when (1) & (2) happens

Step one: Keep the AM2303 sensor at condition of Temperature 50~60Celsius, humidity <10%RH for 2 hours;

Step two: After step one, keep the AM2303 sensor at condition of Temperature 20~30Celsius, humidity >70%RH for 5 hours.

(4) Attention to temperature's affection

Relative humidity strongly depend on temperature, that is why we use temperature compensation technology to ensure accurate measurement of RH. But it's still be much better to keep the sensor at same temperature when sensing.

AM2303 should be mounted at the place as far as possible from parts that may cause change to temperature.

(5) Attentions to light

Long time exposure to strong light and ultraviolet may debase AM2303's performance.

(6) Attentions to connection wires

The connection wires' quality will effect communication's quality and distance, high quality shielding-wire is recommended.

(7) Other attentions

* Welding temperature should be bellow 260Celsius.

* Avoid using the sensor under dew condition.

* Don't use this product in safety or emergency stop devices or any other occasion that failure of AM2303 may cause personal injury.

