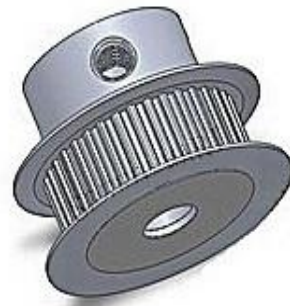


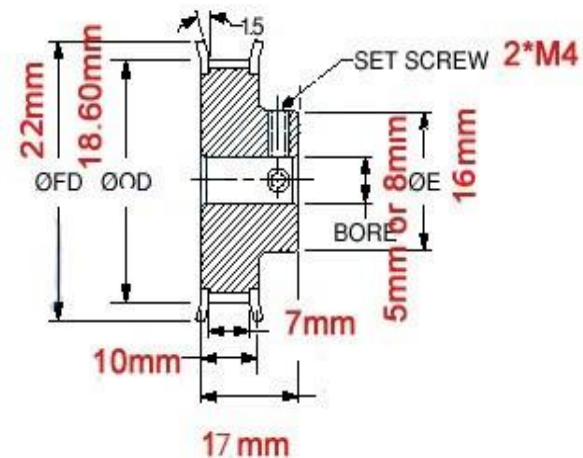
# GT2 Timing Belt Pulleys

**Type 30-2GT-6 BF**  
**Bore 5mm**  
**Bore 8mm**

**Pitch 2mm (0.079")**  
**FOR BELTS UP TO 6mm OR 0.236" WIDE**



Aluminum Alloy



## Note:

ØOD is Outside Diameter    ØE is Hub Diameter    ØFD is Flange Diameter