

8

7

6

5

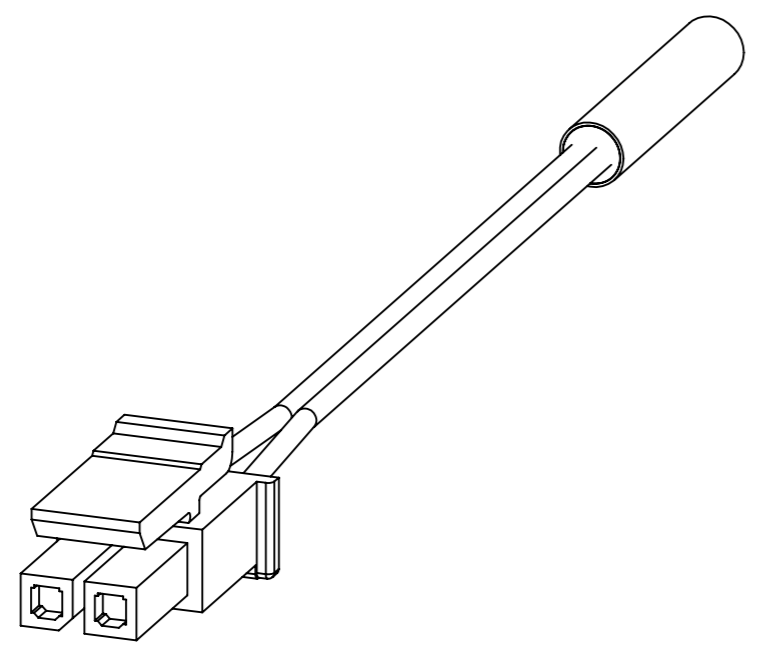
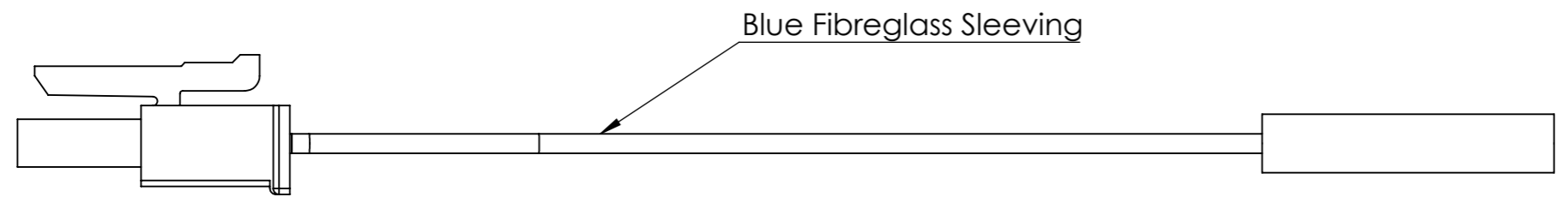
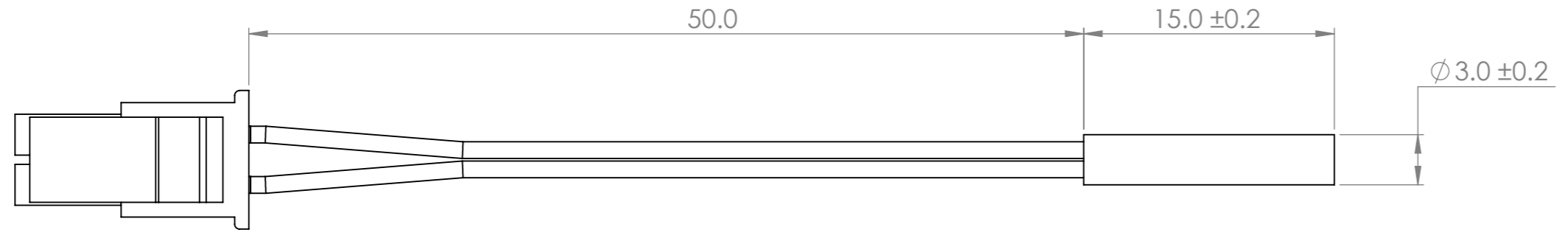
4

3

2

1

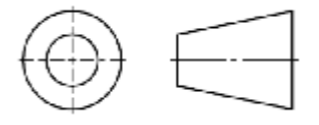
| REV | REVISION BY | DATE | REVISION NOTES |
|-----|-------------|------------|----------------|
| 4.0 | JH | 25/08/2020 | First Release. |
| | | | |
| | | | |
| | | | |
| | | | |



Copyright (C) E3D-Online Ltd (e3d-online.com)
 These drawings are free hardware you can redistribute it and / or modify it under the terms of the General Public License as published by the Free Software Foundation, either version 3 of the License, or (at your option) any later version.



IF TOLERANCE UNSPECIFIED APPLY ISO2768-cl
 DEGREASE AND DEBURR ALL PARTS
 IF IN DOUBT ASK
 THIRD ANGLE PROJECTION



MATERIAL: N/A
 FINISH: N/A

DESCRIPTION:
 Thermistor sensor cartridge

DWG NO:
 E-SEMITEC-50-MOLEX

SHEET SCALE: 3:1 SHEET SIZE: A3 SHEET NUMBER: 1 OF 1

8

7

6

5

4

3

2

1

F

E

D

C

B

A

F

E

D

C

B

A