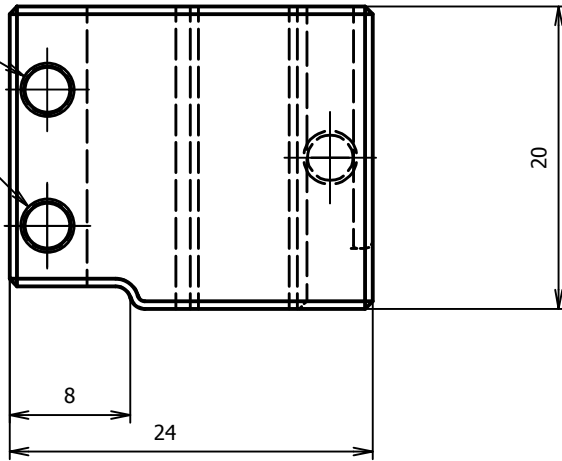
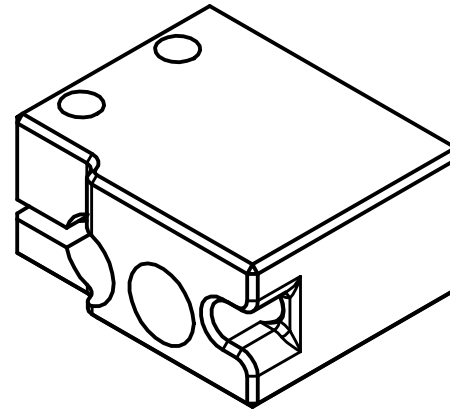


M3x0.5 - FULL THREAD

M3x0.5 - FULL THREAD

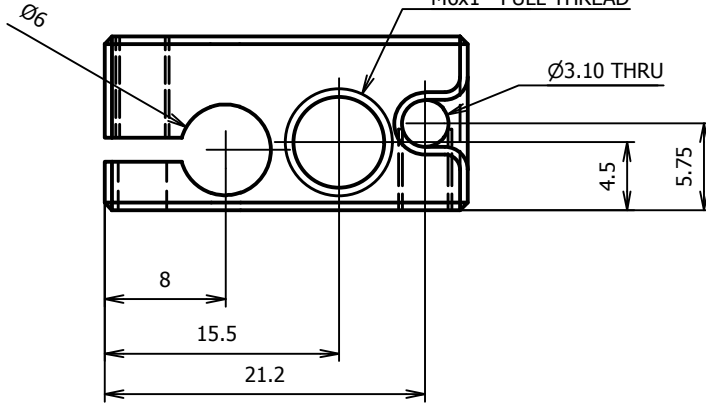


THIRD ANGLE PROJECTION  
 ALL DIMENSIONS IN MM  
 MATERIAL: ALUMINIUM  
 SCALE: 2:1  
 SURFACE FINISH: UNFINISHED UNLESS STATED

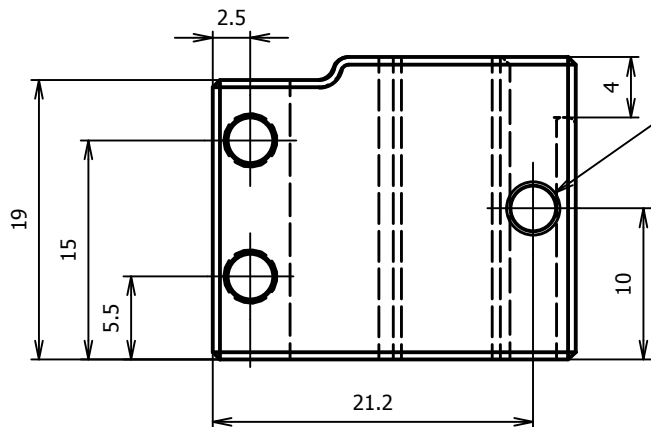


M6x1 - FULL THREAD

Ø3.10 THRU




M3x0.5 FULL THREAD



Copyright (C) E3D-Online Ltd (e3d-online.com)

These drawings are free hardware: you can redistribute it and/or modify it under the terms of the GNU General Public License as published by the Free Software Foundation, either version 3 of the License, or (at your option) any later version.

Designed by E3D Online - JR	Checked by ST	Approved by JR	Date 05/07/2016	Date 05/07/2016
 <b>E3D-ONLINE</b> your toolkit for everything 3D printing			E3D-v6 Volcano Heater Block for Sensor Cartridges	
VOLCANO-BLOCK-CARTRIDGE-ALU			Edition 5.2	Sheet 1 / 1