

RapidChange™

Revo™ Micro

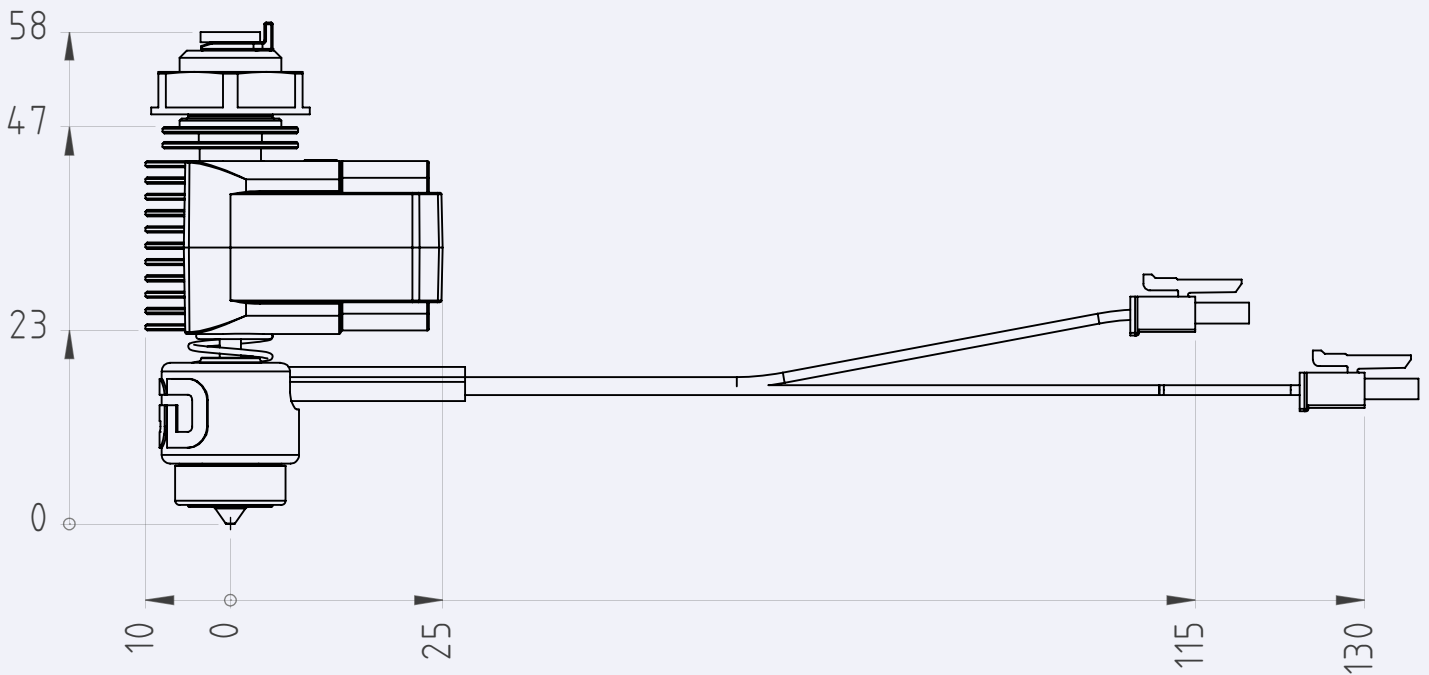
DATA SHEET



SUMMARY

- Max printing temperature: 300°C
- Mass: ~30g
- Flow rate: 600mm³/min (depending on filament)
- Temperature sensor type: thermistor, Semitec 104NT
- Voltage options: 12V or 24V
- Wattage: 40W
- Filament diameter: 1.75mm
- Temperature sensor type: thermistor, Semitec 104NT

DIMENSIONS

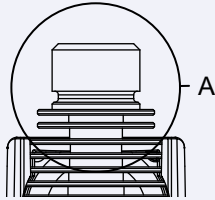


MOUNTING GUIDANCE

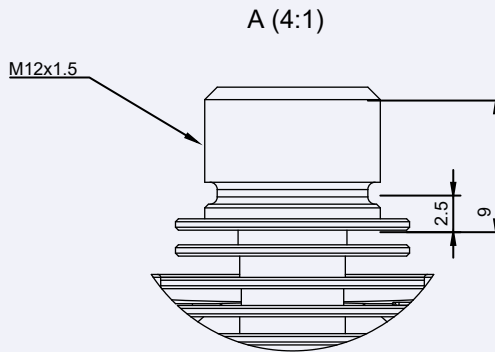
Mounting type: screw thread (M12x 1.5). Depth 5mm.

Minimum plate thickness: 1mm

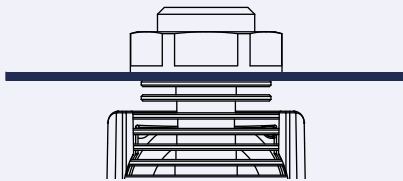
Maximum plate thickness: 5mm



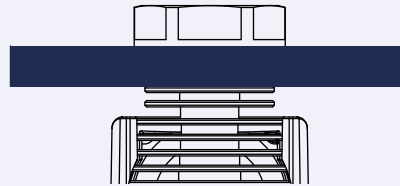
[Figure 2: Mounting interface location]



[Figure 3: Detail View of mounting interface]



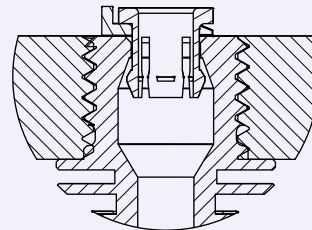
[Figure 4: 1mm plate through-hole mounting]



[Figure 5: 5mm plate through-hole mounting]



[Figure 6: 9mm threaded plate mounting]



[Figure 7: Cross section 9mm threaded plate mounting]

CABLE ORIENTATION

Turn Revo HeaterCore anti-clockwise to orient cables. Turning clockwise will cause the spring to disengage.

ASSEMBLY

There is no need to hot-tighten the Revo Micro assembly. Tools must not be used to fasten the Revo Nozzle to the HeaterCore.

OPERATIONAL TEMPERATURES

Maximum recommended operating temperature: 40°C

Maximum recommended operating temperature: 40°C

ELECTRICAL SPECIFICATION

Fan

- 5V
 - Please use the supplied regulator board. Running directly from 12V or 24V will cause failure
 - Fan current: 176mA
 - Fan noise: 25.0dB(A)
- [more details can be found by viewing the Revo Micro fan datasheet](#)

Heater

- 12V or 24V, 40W nominal power at ambient

Temperature

- Temperature sensor: Semitec 104NT

CONNECTIONS

Fan: Molex microfit 3, 2 pin vertical

Heater: Molex microfit3, 2pin horizontal

Temperature sensor: Molex microfit3, 2pin horizontal

Assembly is supplied with 1m cables to connect to mainboard

MATERIALS

Heatsink: Aluminium (black anodised)

Nut: Nylon

HeaterCore: Alumina, Bronze

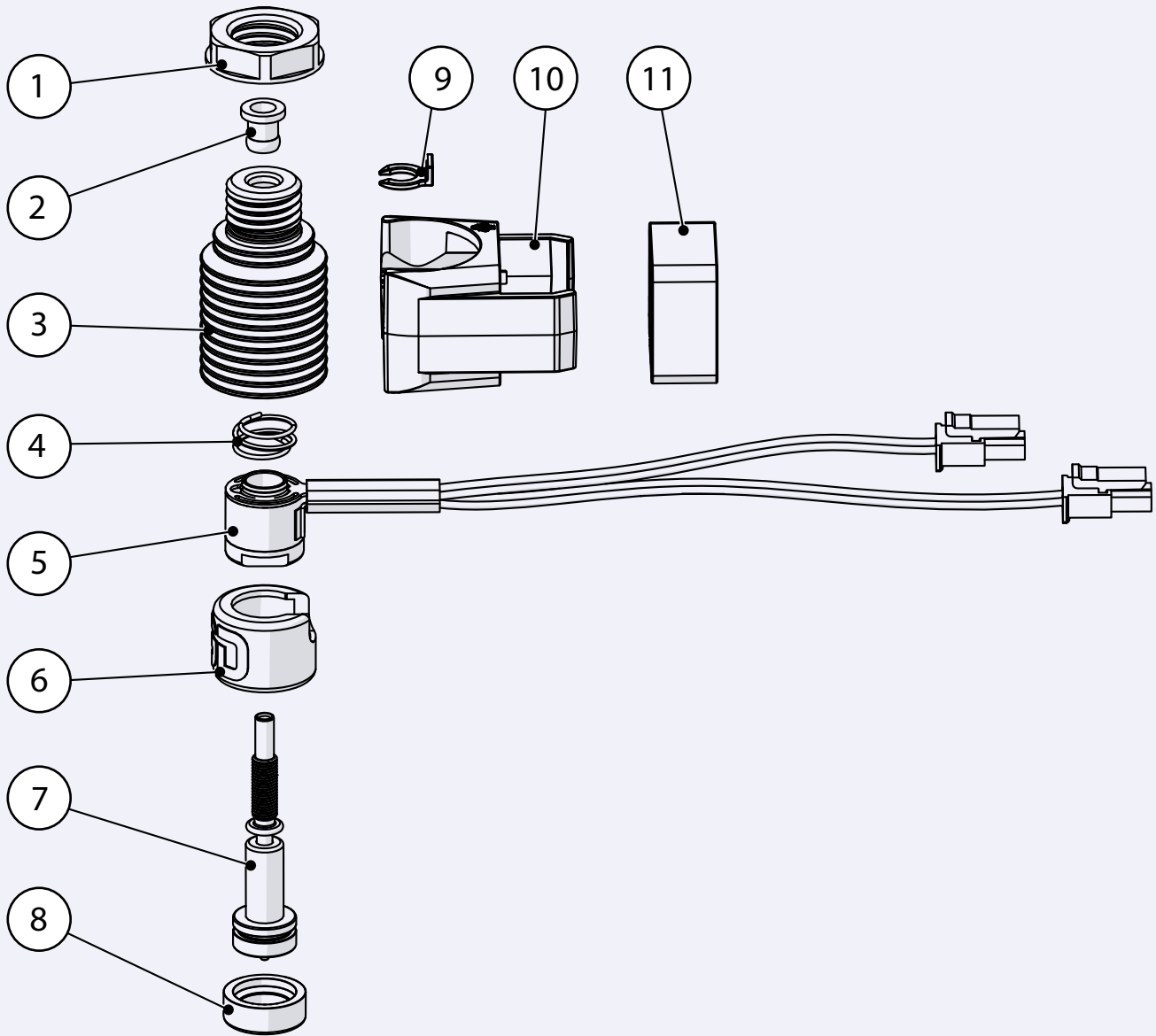
COMPLIANCE

Reach

RoHS

WEEE

EXPLODED VIEW



1. M12 X 1.5 nut
2. Collet
3. Revo Micro heatsink
4. Revo spring
5. Revo HeaterCore
6. Revo HeaterCore sock

7. Revo Nozzle
8. Revo Nozzle sock
9. Collet clip
10. Revo Micro fan duct
11. 20 x 20 x 10 5V fan

CHANGELOG

Edition 1: Published 17/09/21

- Approved: RY 17/09/21

Edition 2: Published 12/10/21

- Approved:
- Notes: Revo Thread renamed Revo Micro

