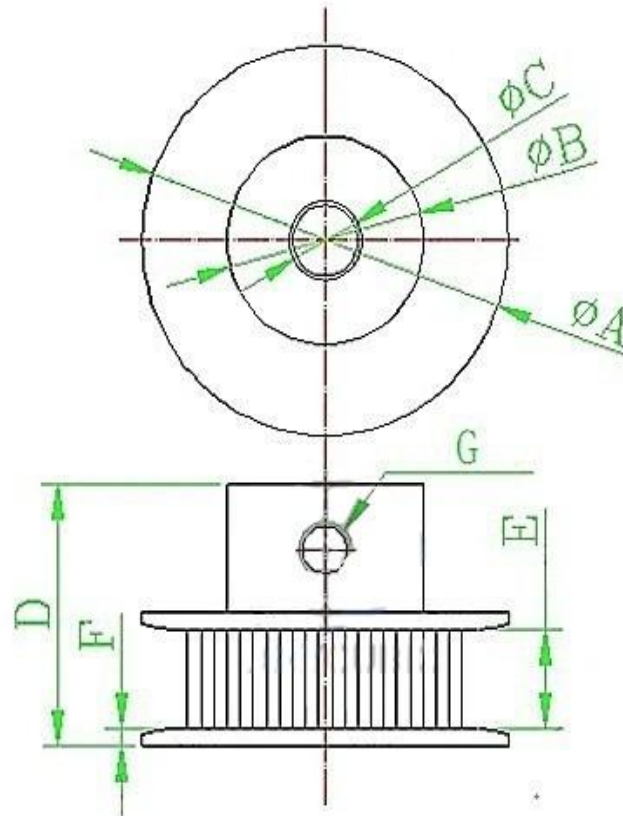


GT2 Timing Pulley-36th 10mm bore



A=26mm B=19mm C=10mm D=17mm E=6.5mm F=1.5mm G=2-M4X4