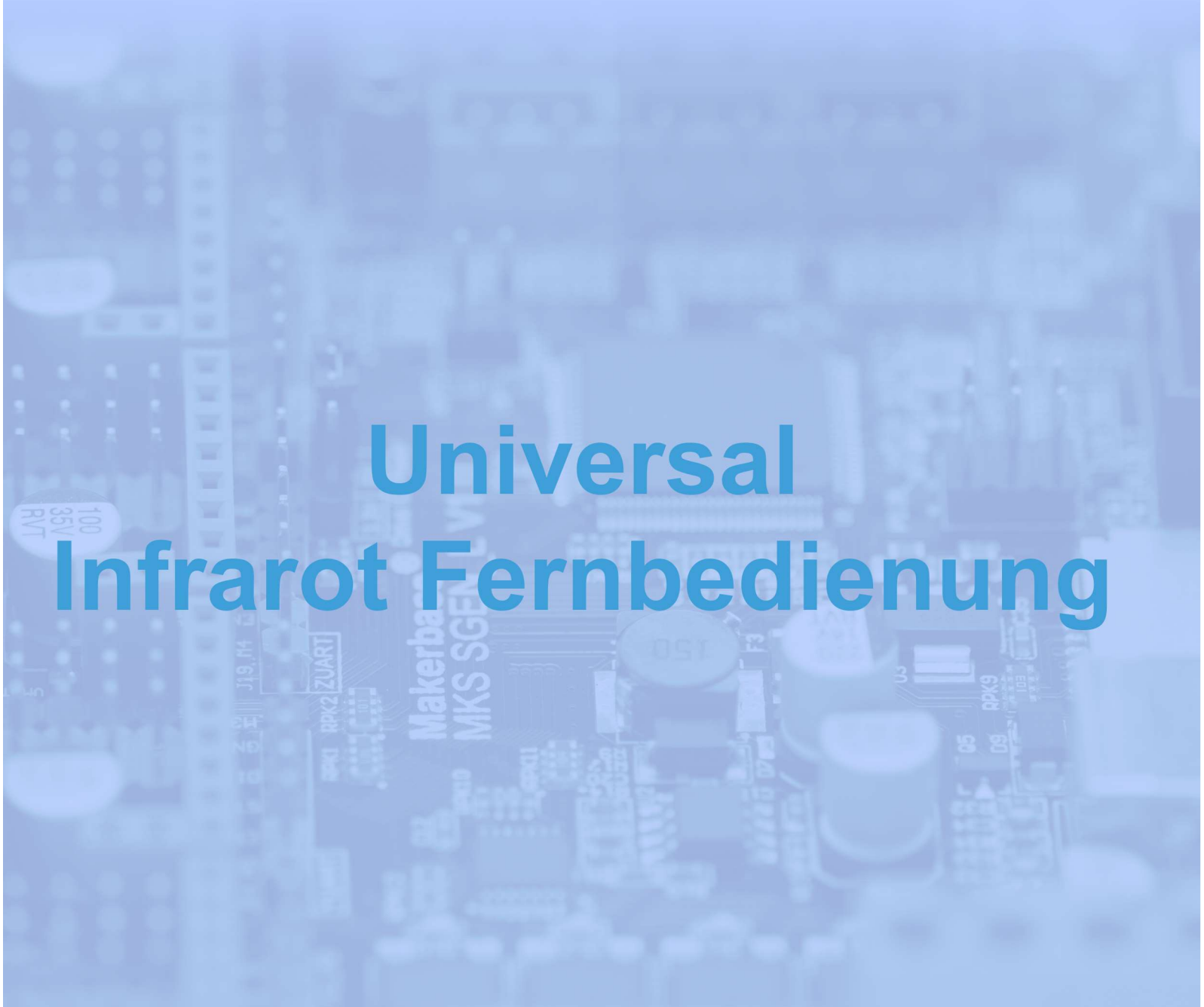
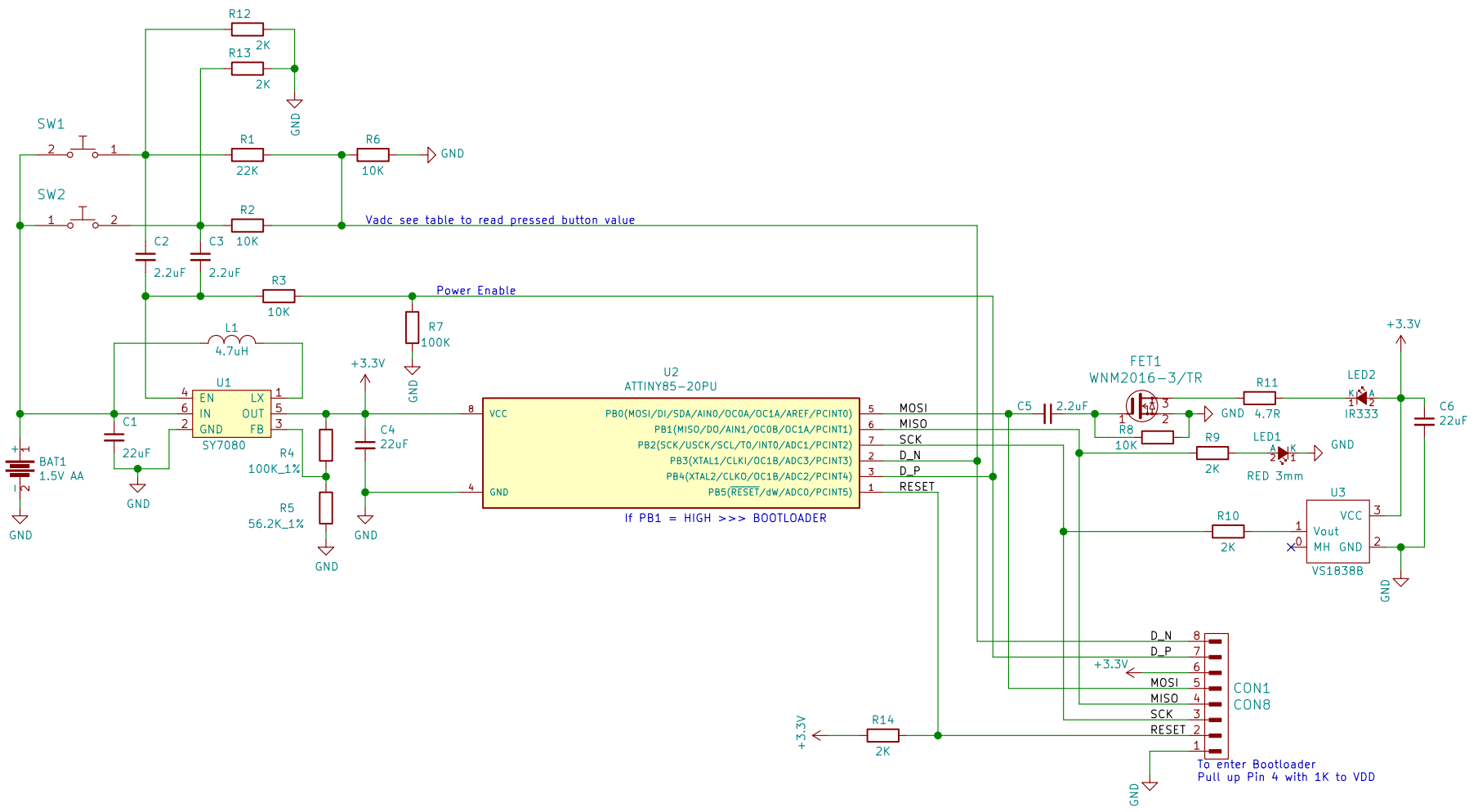


Bausatz-Shop

Universal Infrarot Fernbedienung





Sheet: /	
File: URC_revB.sch	
Title:	
Size: A4	Date:
KiCad E.D.A. kicad 6.0.0-unknown-90f06c586ubuntu18.04.1	
Rev: 1/1	